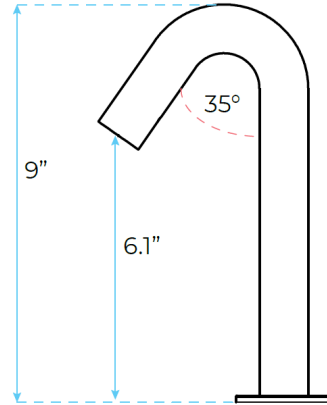
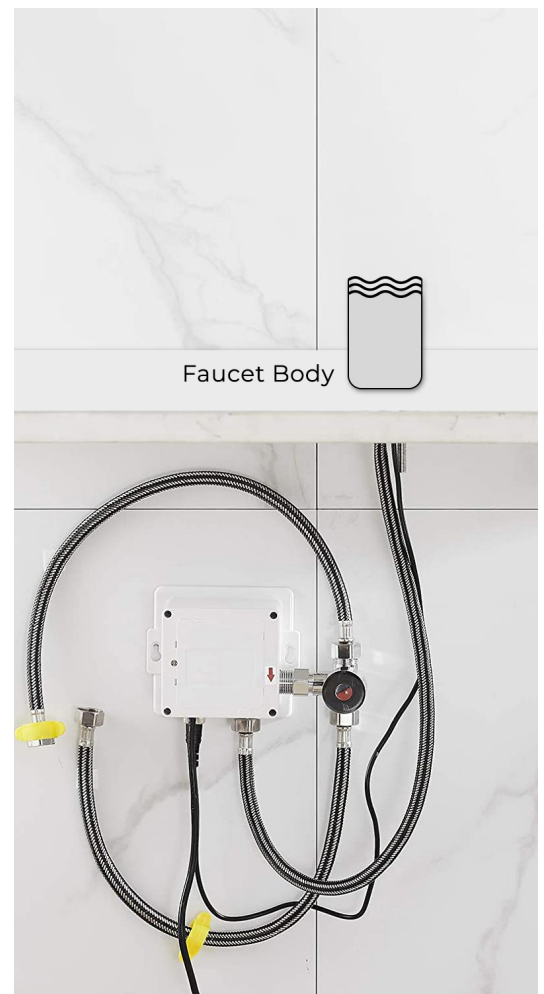


MARSALA DECK MOUNT ROSE GOLD FINISH COMMERCIAL AUTOMATIC SENSOR FAUCET SPECS



Specs:

- Installation: Deck mounted
- Water supply: Cold or premixed water
- Operating pressure: 0.5 - 8.0 bar (7 - 116 PSI).
- With a pressure over 8 bar, use a pressure reducing valve.
- Supply Power: IP67 Dual power input box with a 9V battery (battery not included)
- Dual power input box with a 9V transformer.
- Dia.of inlet / outlet pipe: G1/2"
- Flux: $\geq 0.07\text{L/S}$
- Temperature: 0.1-50°C
- Dia of installing faucet: 33~35mm



[Visit Product Page](#)